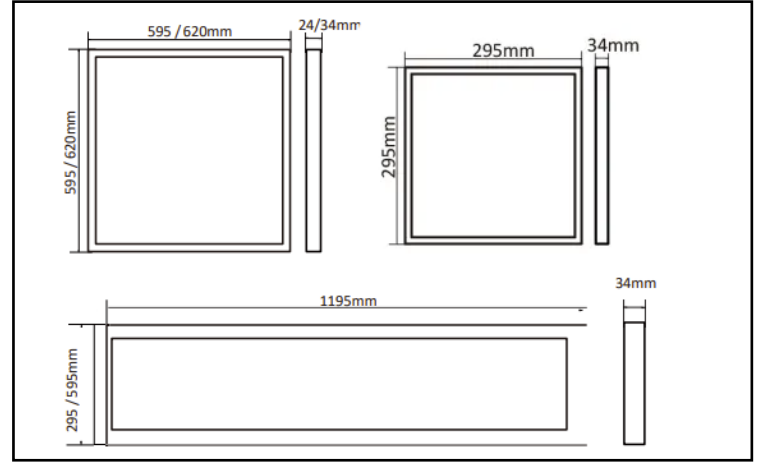
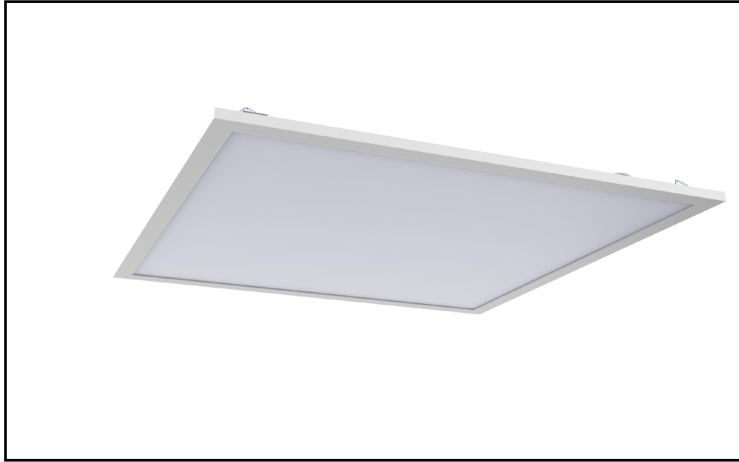


# BRIGHT SOURCE

Platinum

# Earle

The Earle is the Bright Source IP65 modular LED panel. With a shallow, back lit construction and switchable power options, the Earle provides great flexibility of use. Providing UGR<19, the Earle can be used as part of schemes compliant with LG7 and BES EN12464-1.



## Luminaire

- **Beam Angle-** 120 degrees
- **UGR** <19
- **Construction-** High Strength Aluminum Alloy, Acrylic Diffuser
- **Colour Finish Options-** Black/White
- **Fire Rating-**TPa
- **IP Rating-** IP65
- **IK Rating-** IK08
- **Working Temperatures** -20°C - 45°C
- **Warranty-** 5 years

- **Control Options-** DALI, 1-10V, Casambi
- **Mounting Options-** Recessed, Surface Mounted

## Light Source

- **LED Chip Type and Manufacturer-** Ebright SMD2835
- **Colour Temperature-** 3000K, 4000K, 5000K, 5700K, 6500K, 3-CCT Switchable
- **SDCM-** <5
- **CRI-** >90
- **Lifetime-** 125,000 Hours
- **L Value-** L80 B10 @ 97,000 Hours

## Power

- **Input Supply-** AC200-240V
- **Power Factor-** >0.95%
- **Efficacy-** 150lm/W
- **Energy Rating-** D
- **Driver Manufacturer-** AGT

Product Code	EAR/6x6/387	EAR/6x6/		
Dimensions	600 x 600			
Wattage	27W		36W	
Colour Temperature (Switchable)	3000K	4000K	3000K	4000K
Lumen Output	3879lm	4122lm	4267lm	4439lm

## Product Code Builder

