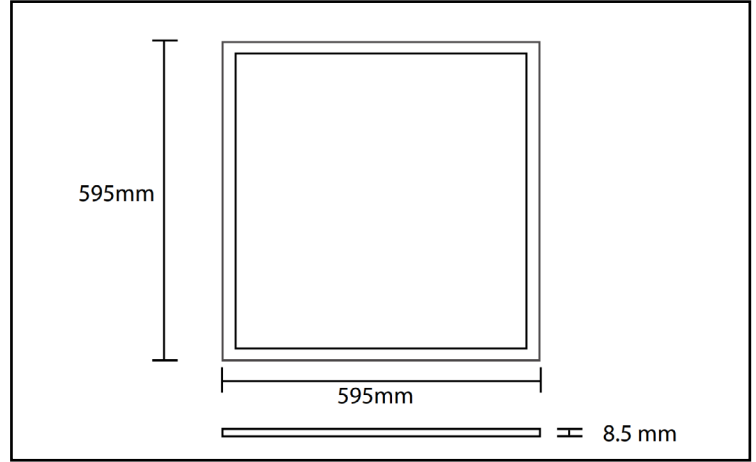


BRIGHT SOURCE

MADE IN BRITAIN

Glazebrook

The Glazebrook is a TPA rated, high specification LED Panel. It is part of our Made in Britain range, is backlit and provides a low glare UGR18 and is therefore compliant with LG7 and EN-12464-1. With an efficiency of 120 lm/w, the Glazebrook is a great choice LED modular fitting.



Luminaire

- **UGR** <19
- **Construction**- Aluminum, Self-extinguishing TP(a) diffuser
- **Colour Finish Options**- Black/White
- **Fire Rating**-TPa
- **IP Rating**- IP20
- **Working Temperatures** -20°C - 25°C
- **Warranty**- 5 years

Light Source

- **LED Chip Type and Manufacturer**- Phillips
- **Colour Temperature**- 3000K, 4000K
- **SDCM**- 4
- **CRI**- 80
- **Lifetime**- >50,000hrs
- **L Value**- L70 @ 50,000 Hours

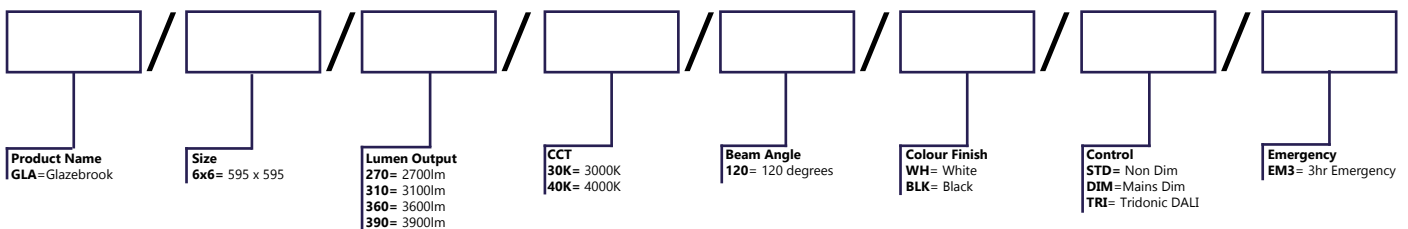
Power

- **Control Options**- Non Dim, Mains Dim, DALI, Casambi
- **Mounting Options**- Recessed, Surface Mounted, Suspended

- **Input Supply**- 200-240V
- **Power Factor**- >0.9
- **Efficacy**- >94lm/W
- **Driver Manufacturer**- Tridonic

Product Code	GLA/6x6/270/30K	GLA/6x6/360/30K	GLA/6x6/310/40K	GLA/6x6/390/40K
Dimensions	595 x 595			
Colour Temp	3000K		4000K	
Wattage	26.5W	36.5W	26W	34.5W
Lumen Output	2700lm	3600lm	3100lm	3900lm

Product Code Builder



All technical data is subject to industry standard tolerances: ±10%. BRIGHT SOURCE is constantly developing and improving its products and we therefore reserve the right to change any product specifications without prior notification. Photos provided are for illustrational purposes only. The exact appearance of the product may vary depending on the monitor settings, options selected and other factors.

