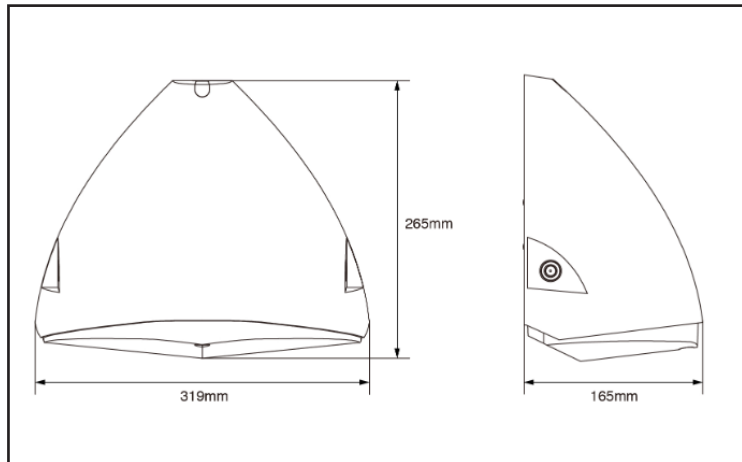


# BRIGHT SOURCE

Platinum

# Márquez

The Marquez is supplied with a high-efficiency, non-flickering driver. It has three switchable power settings ranging from 13w to 28w and switchable colour temperature. It is built to last thanks to its IP65 rating and IK10 impact resistant rating. It has access for rear or side cable entry and is suitable for conduit and BESA box installation. Various optics are available to suit most applications.



## Luminaire

- **Beam Angle-** Open Area, Asymmetric
- **Construction-** Die-cast aluminium housing, Polycarbonate diffuser
- **Colour Finish Options-** Anthracite RAL 7016, Grey White RAL9002, Black RAL9005
- **IP Rating-** IP65
- **IK Rating-** IK10
- **Working Temperatures-** -20°C to 40°C
- **Warranty-** 5 Years

- **Control Options-** Microwave Sensor, Photocell, DALI, Casambi
- **Mounting Options-** Surface Mounted

## Light Source

- **LED Chip Type and Manufacturer-**
- **Colour Temperature-** 3000K, 4000K, 6500K, CCT Switchable
- **SDCM-** <6
- **CRI-** 80
- **Lifetime-** >60,000 Hours
- **L Value-** L70

## Power

- **Input Supply-** 220-240V AC
- **Power Factor-** >0.9
- **Efficacy-** 140lm/W
- **Energy Rating-**
- **Driver Manufacturer-** TCI

Product Code	MAR/128/SW	MAR/260/SW	MAR/260/SW	MAR/319/SW	MAR/319/SW	MAR/319/SW
Dimensions	128mm	260mm		319mm		
Wattage (Switchable Power)	4.8W	8W	10W	13W	18W	28W
Lumen Output	580lm	1150lm	1400lm	1700lm	2500lm	3500lm

## Product Code Builder

