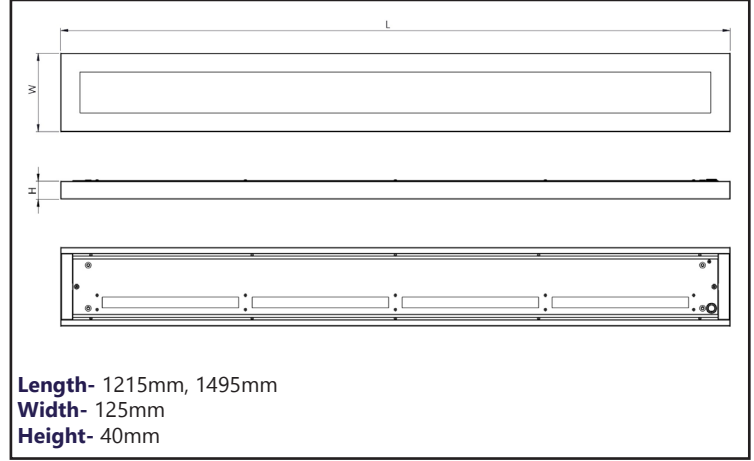
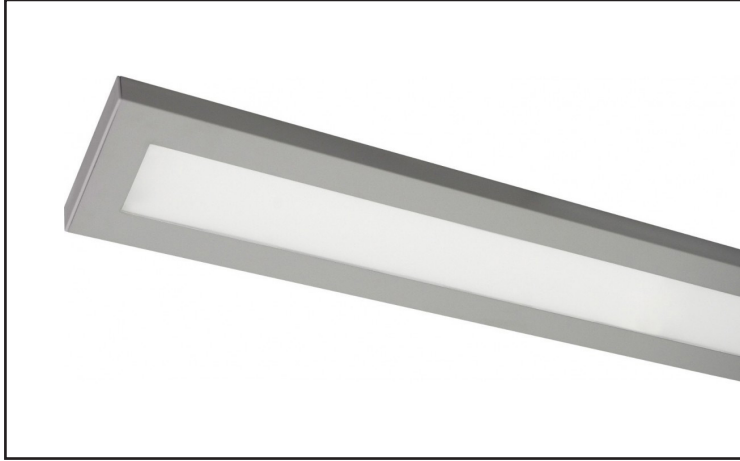


## Bouvard

The Bouvard is a suspended LED Panel with a micro-prismatic PMMA diffuser for excellent glare control. The Direct/Indirect version is also compliant with LG3 so the Bouvard is perfect for all environments when DSE is regularly used. The Bouvard also achieves excellent lumens per watt is available with integrated sensors making it a great low energy lighting solution.



### Luminaire

- **Beam Angle-** 89 x 90 (Direct), 85 x 95 (Direct/Indirect)
- **UGR** <19
- **Construction-** Steel, PMMA Diffuser
- **Colour Finish Options-** White (Std), Custom RAL
- **IP Rating-** IP40
- **Working Temperatures** 0°C - +35°C
- **Warranty-** 5 years

### Light Source

- **Colour Temperature-** 3000K, 4000K
- **SDCM-** 3
- **CRI-** >80
- **Lifetime-** 50,000 Hours
- **L Value-** L80 B10 @ 50,000 Hours

### Power

- **Input Supply-** 220-240V, 50/60Hz
- **Power Factor-** >0.95%
- **Efficacy-** Up to 151lm/W
- **Energy Rating-** D

- **Control Options-** On/Off, DALI, Bluetooth, Integrated Sensor, Corridor Function
- **Mounting Options-** Suspended

Product Code	BOU/121/ 18/30K	BOU/121/ 25/30K	BOU/121/ 35/30K	BOU/121/ 18/40K	BOU/121/ 25/40K	BOU/121/ 35/40K	BOU/149/ 22/30K	BOU/149/ 31/30K	BOU/149/ 45/30K	BOU/149/ 22/40K	BOU/149/ 31/40K	BOU/149/ 45/40K
Length	1215mm						1495mm					
Colour Temp	3000K			4000K			3000K			4000K		
Wattage	18.4	25.7	35.5	18.4	25.7	35.5	22.7	31.8	45.4	22.7	31.8	45.4
Lumen Output	2477	3376	4824	2570	3534	5051	3097	4220	6030	3213	4418	6313

### Product Code Builder

