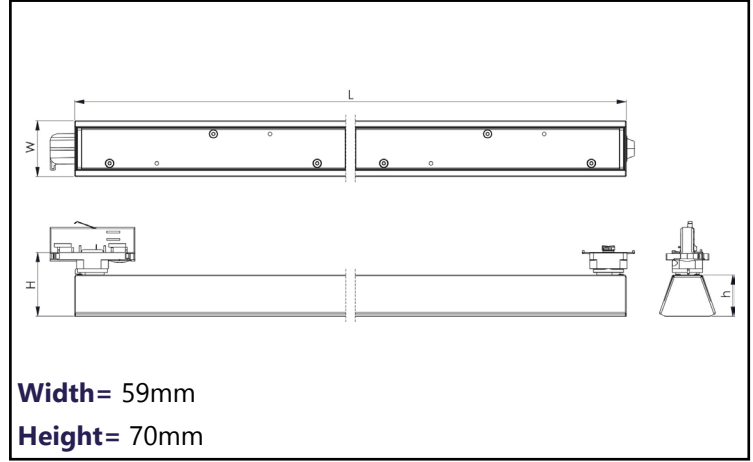


## Herschel

The Herschel is a track mounted linear for use with our Sagan track system. With a wide range of lengths and wattages, Herschel is a versatile luminaire for a range of applications. Combined with our other track fittings it can provide a comprehensive lighting treatment for all indoor environments.



### Luminaire

- **Beam Angle-** 30°, 40°X70°, 75°, 75° Wide, 90° Wide, Asymmetric, Double Asymmetric
- **Construction-** Steel
- **Colour Finish Options-** White
- **IP Rating-** IP20
- **Working Temperatures** 0°C - 35°C
- **Warranty-** 5 years

### Light Source

- **Colour Temperature-** 3000K, 4000K
- **SDCM-** 3
- **CRI-** >80
- **Lifetime-** 100,000 Hours
- **L Value-** L80 B10 @ 100,000 Hours

- **Control Options-** Mains Dim, DALI
- **Mounting-** In 3-phase track. Track adaptor (3-phase + N) with phase selector

### Power

- **Input Supply-**220-240V, 0/50-60Hz
- **Power Factor-** >0.9%
- **Efficacy-** Up to 178lm/W

Product Code	HER/574/15.9/30K	HER/574/21.8/30K	HER/856/22.8/30K	HER/856/22.8/30K	HER/113/29.7/30K	HER/113/41.2/30K	HER/574/15.9/40K	HER/574/21.8/40K	HER/856/22.8/40K	HER/856/22.8/40K	HER/113/29.7/40K	HER/113/41.2/40K
Length (mm)	574		856		1137		574		856		1137	
Wattage	15.9	21.8	22.8	31.6	29.7	41.2	15.9	21.8	22.8	31.6	29.7	41.2
Colour Temp	3000K						4000K					
Lumen Output	2593	3456	3889	5319	5185	7092	2733	3738	4099	5606	5465	7475

### Product Code Builder

