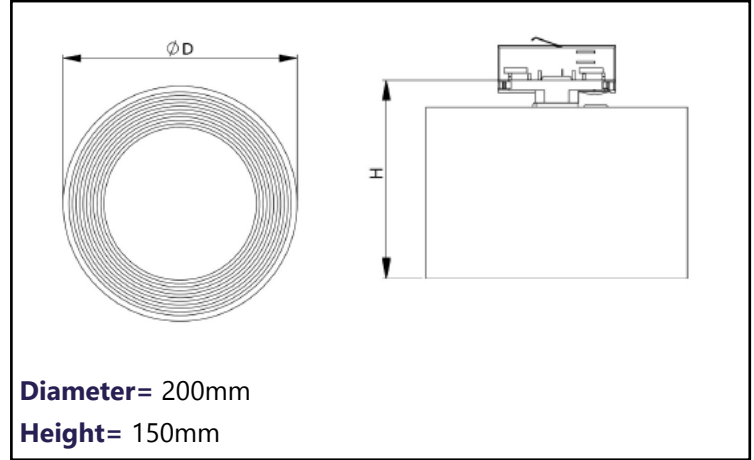


Kepler

The Kepler is a track mounted LED downlight with an opal diffuser for use with our Sagan track system. Combined with our other track fittings it can provide a comprehensive lighting treatment for all indoor environments.



Diameter= 200mm

Height= 150mm

Luminaire

- **Beam Angle-** Opal Diffuser
- **Construction-** Polycarbonate, Aluminium
- **Colour Finish Options-** Black, Light Grey, White
- **IP Rating-** IP20
- **Working Temperatures** 0°C - +35°C
- **Warranty-** 5 years

Light Source

- **Colour Temperature-** 3000K, 4000K
- **SDCM-** 3
- **CRI-** >80
- **Lifetime-** 60,000 Hours
- **L Value-** L80 B10 @ 60,000 Hours

- **Control Options-** Non Dim, DALI
- **Mounting Options-** In 3-phase track. Track adaptor (3-phase + N) with phase selector

Power

- **Input Supply-** 220-240V, 0/50-60Hz
- **Power Factor-** >0.95%
- **Efficacy-** up to 120lm/W

Product Code	KEP/11.7/30K	KEP/16.2/30K	KEP/23/30K	KEP/11.7/40K	KEP/16.2/40K	KEP/23/40K
Colour Temp	3000K			4000K		
Wattage	11.7	16.2	23	11.7	16.2	23
Lumen Output	1382	1936	2635	1443	2023	2753

Product Code Builder

