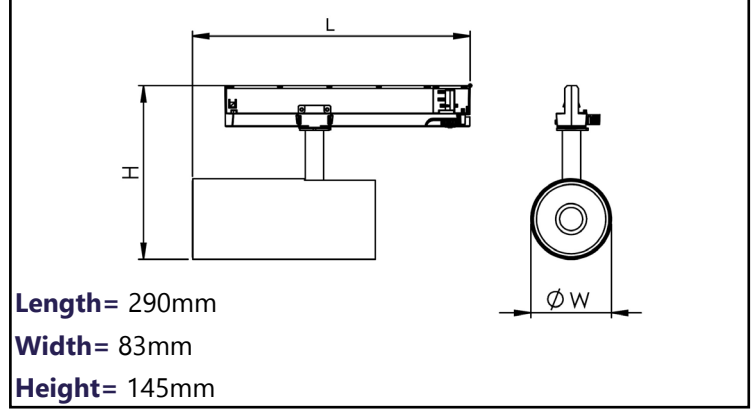


Challis

The Challis is a cylindrical LED track light with symmetrical faceted reflector designed for accent lighting. With a wide variety of colour temperatures designed to enhance particular colour ranges, the Challis can be used for a variety of applications such as retail and supermarkets. Combined with our other track fittings it can provide a comprehensive lighting treatment for all indoor environments.



Length= 290mm
Width= 83mm
Height= 145mm

Luminaire

- **Beam Angle-** 36°, 24°
- **Construction-** Aluminium
- **Colour Finish Options-** White, Black
- **IP Rating-** IP20
- **Working Temperatures** 0°C - +35°C
- **Warranty-** 5 years

Light Source

- **Colour Temperature-** 3000K, 4000K, 2500K (Bread), 2000K (Meat), 3100K (Meat with increased white colour contrast), 3000K (Colourful products), 3200K (Fashion), 3100K (Fashion with dominant white colour), 2700K (CRI95+), 3000K (CRI95+), 4000K (CRI95+)
- **SDCM-** 3
- **CRI-** >80, >90, 95+
- **Lifetime-** 60,000 Hours
- **L Value-** L80 B10 @ 60,000 Hours

- **Control Options-** Non Dim, DALI
- **Mounting-** To be fixed into 4/6-conductors surface/recessed tracks. Track adaptor (3-phase + N) with phase selector

Power

- **Input Supply-**220-240V, 0/50-60Hz
- **Power Factor-** >0.95%
- **Efficacy-** Up to 138lm/W

Product Code	CHA/83/13.5/830	CHA/83/18.7/830	CHA/83/26.5/830	CHA/83/13.5/840	CHA/83/18.7/840	CHA/83/26.5/840	CHA/83/13.3/930	CHA/83/18.2/930	CHA/83/25.8/930	CHA/83/13.3/940	CHA/83/18.2/940	CHA/83/25.8/940
CRI	80+						90+					
Colour Temp	3000K			4000K			3000K			4000K		
Wattage	13.5	18.7	26.5	13.5	18.7	26.5	13.3	18.2	25.8	13.3	18.2	25.8
Lumen Output	1799	2444	3290	1901	2583	3478	1525	2090	2839	1606	2202	2993

Product Code Builder

Product Name CHA= Challis	Diameter 83 = 83mm	Wattage 13.3= 13.3W 13.5= 13.5W 18.2= 18.7W 18.7= 18.7W 25.8= 25.8W 26.5= 26.5W	CCT 830= 3000K CRI80+ 840= 4000K CRI80+ 930= 3000K CRI90+ 940= 4000K CRI90+ 825= 2500K CRI 80+ (Bread) 820= 2000K CRI80+ (Meat) 831= 3100K CRI80+ (Meat and White) 930V= 3000K 90+CRI (Colourful products) 932= 3200K CRI90+ (Fashion) 931= 3100K 90CRI+ (Fashion and White) 927N= 2700K CRI95+ Natural 930N= 3000K CRI95+ Natural 940N= 4000K CRI95+ Natural	Beam Angle 24= 24° 36= 36°	Colour Finish WH= White BLK= Black	Control STD= Non Dim DALI= DALI Dim
------------------------------	-----------------------	---	--	----------------------------------	--	---