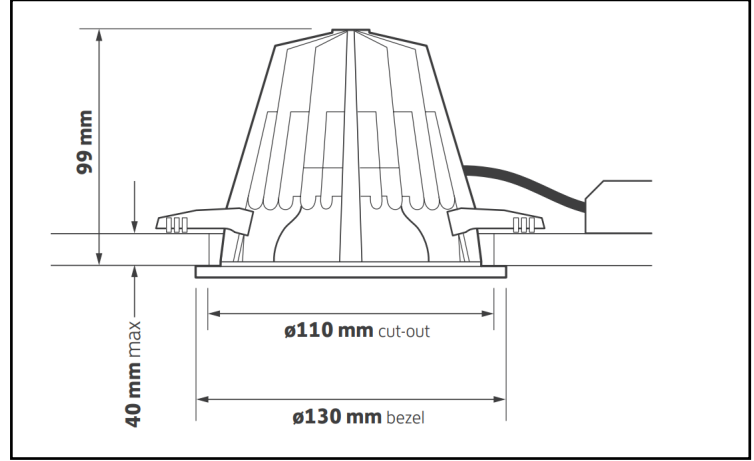


Harriot

Made in Britain

The Harriot is a high-performance LED downlight, made in the UK and powered by Tridonic. Supplied with a twist and lock bezel, a choice of reflectors and accessories, while also providing a low glare option and with efficacies up to 114 lm/w, the Harriot is a great choice. It is also available in a range of power outputs and colour temperatures for full flexibility of design.



Luminaire

- **Beam Angle-** 25 °, 40 °, 50 °, 60 °
- **UGR** <19 versions
- **Construction-** Aluminium, Polycarbonate
- **Colour Finish Options-** Black, White, Grey
- **IP Rating-** IP20, IP54, IP65
- **Working Temperatures** -25°C - 35°C
- **Warranty-** 5 years

- **Control Options-** DALI, 1-10V, Casambi
- **Mounting Options-** Recessed, Surface Mounted
- **Other Options-** Long Life Excite 100K Driver, Anti-Tamper Bezel, White bezel Drop Glass Clear Halo, White bezel Drop Opal Halo

Light Source

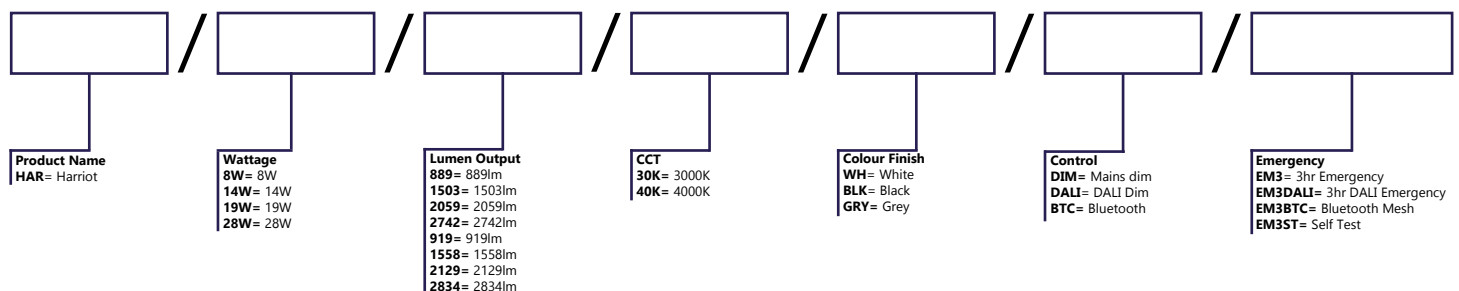
- **LED Chip Type and Manufacturer-** Tridonic
- **Colour Temperature-** 3000K, 4000K
- **SDCM-** 3
- **CRI-** 80
- **Lifetime-** >55,000 hrs
- **L Value-** L80 @ 97,000 Hours

Power

- **Input Supply-** 200-240V
- **Power Factor-** >0.81
- **Efficacy-** Up to 114lm/W
- **Driver Manufacturer-** Tridonic

Product Code	HAR/8W/889/30K	HAR/14W/150/30K	HAR/19W/205/30K	HAR/28W/274/30K	HAR/8W/919/40K	HAR/14W/155/40K	HAR/19W/212/40K	HAR/28W/284/40K
Colour Temp	3000K				4000K			
Wattage	8W	14W	19W	28W	8W	14W	19W	28W
Lumen Output	889lm	1503lm	2059lm	2742lm	919lm	1558lm	2129lm	2834lm

Product Code Builder



All technical data is subject to industry standard tolerances: ±10%. BRIGHT SOURCE is constantly developing and improving its products and we therefore reserve the right to change any product specifications without prior notification. Photos provided are for illustrational purposes only. The exact appearance of the product may vary depending on the monitor settings, options selected and other factors.