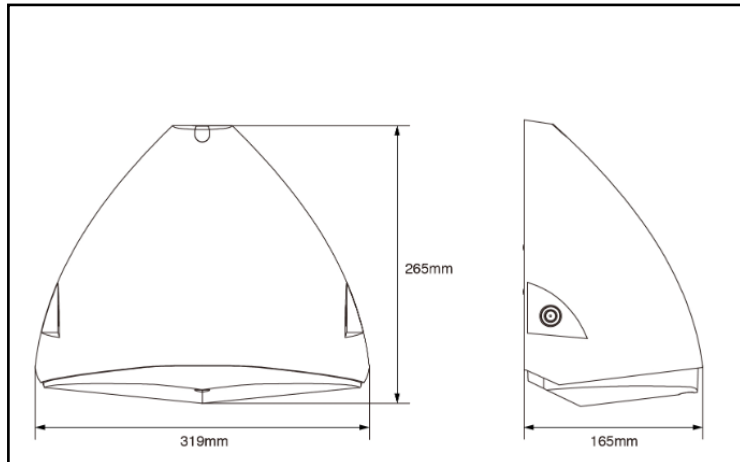


Márquez

The Márquez is supplied with a high-efficiency, non-flickering driver. It has three switchable power settings ranging from 13w to 28w and switchable colour temperature. It is built to last thanks to its IP65 rating and IK08 impact resistant rating. It has access for rear or side cable entry and is suitable for conduit and BESA box installation. Two optics are available to suit most applications.



Luminaire

- **Beam Angle-** Open Area, Asymmetric
- **Construction-** Die-cast aluminium housing, Polycarbonate diffuser
- **Colour Finish Options-** Anthracite RAL 7016
- **IP Rating-** IP65
- **IK Rating-** IK08
- **Working Temperatures-** -20°C to 40°C
- **Warranty-** 5 Years

Light Source

- **LED Chip Type and Manufacturer-**
- **Colour Temperature-** 4000K
- **SDCM-** <6
- **CRI-** 80+
- **Lifetime-** >60,000 Hours
- **L Value-** L70

Power

- **Input Supply-** 220-240V AC
- **Power Factor-** >0.9
- **Efficacy-** 140lm/W
- **Energy Rating-**
- **Driver Manufacturer-** TCI

- **Control Options-** Microwave, Photocell, Mains Dim, DALI
- **Mounting Options-** Surface Mounted

Product Code	MAR/SW/VAR	MAR/SW/VAR	MAR/SW/VAR
Dimensions	319mm		
Wattage (Switchable Power)	13W	18W	28W
Lumen Output	1700lm	2500lm	3500lm

Product Code Builder

